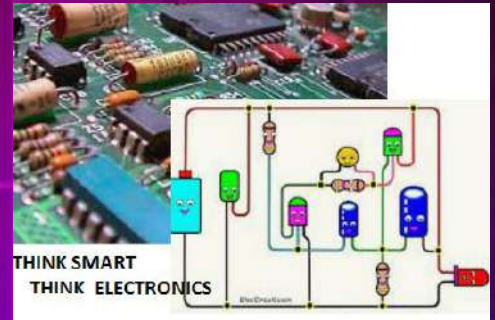


Department of Electronics and Communication

About us

The Department of Electronics and Communication Engineering was established in the year 2001 and since then, the department has been offering full time B.E degree programme. Electronics department has been continuously striving to get updated with the latest trends in the fast-growing technological revolution and the highly skilled and experienced staff along with innovative and motivated students is the backbone behind this. Workshops and symposiums are organized every year to enrich the knowledge of the students. ME VLSI Design Programmed was commenced in 2011 with an intake of 18 students, to specially focus on research and development.



Department Vision and Mission

Vision

- ❖ To be a leader in affording high quality education in the frontier areas of Electronics and Communication Engineering, fostering Engineers, Technologists and Scholars of highest proficiency, who would promote sustainable development of the environment, industry and society.

Mission

- ❖ Enhancing the teaching learning process by adopting the best and contemporary practices in order to generate qualified engineers and technocrats for careers in Research, Industry and Business with social and common concern.
- ❖ Facilitating Quality Education through enriching the technical knowledge and skill of the students to achieve academic excellence.
- ❖ To influence students to become responsible citizens and good human beings for the overall welfare of the society.
- ❖ Providing high-quality skills and knowledge, with a focus on developing the technical expertise required to meet current and changing industry and social needs.



Er. A MOHAMED YUNUS
BE, M.Sc., Engg
Chairman
M.I.E.T. Institutions

CHAIRMAN's MESSAGE

Being the current world not a hasty track, the responsibility of creating a high-quality educational institution is challenging and embellished with a host of initiatives which validate them over an extended time span. Moreover, in a world where time and space are compacted, there is a massive defy for success which necessitates knowledge, which is current, pertinent and based on real experience. In this situation, the education plays a paramount role in molding, shaping and preparing youngsters to face the challenges of the future world. We at M.I.E.T., motivate and empower our students to be enduring learners, critical thinkers and prolific members of an ever-changing global society. Also, the students are encouraged to channelize their potential in the pursuit of fineness in a holistic and student-centered environment. Moreover, M.I.E.T strives hard to sensitize its students to the needs of the community and inculcate values like truthfulness, fortitude and acceptance of individual differences. I am confident that M.I.E.T will always be a bonfire of light guiding the fate of its students, while blistering kindness and compassion as it ascends high in its pursuit of academic excellence and accomplishment of our motto "Humanize, Equalize,



Dr. A NAVEEN SAIT
ME, Ph.D
Principal
M.I.E.T. Engineering College

PRINCIPAL's MESSAGE

As the Principal of our esteemed college, I am immensely proud of all of you. You all have been inspiring us with your hard work and dedication, and have made us proud with your many achievements over the years.

As we look ahead to the future, I urge you to continue to strive for excellence and to never give up on your dreams. Your college experience should be one of exploration, growth, and discovery. I hope that you will continue to take advantage of all the resources our college has to offer to help you reach your goals.

I also want to take a moment to thank all of you for your contributions to the college magazine. Your creativity and enthusiasm for showcasing the college's achievements has been remarkable.

Students participation in in-plant training / conferences/workshops/symposium

- Mr. Charu Ahamed S , Thaamocharan I final year students participated in the “Workshop” competition organized by ‘Saranathan Collge of Engineering’, Trichy.
- Mr. Ahamed Yaseen S, Pragadeeswaran V, third year students participated in the “Workshop” competition organized by ‘Saranathan Collge of Engineering’, Trichy.
- Mr.Hasan Basari A, Ragul S, Shanmuganathan S, final year students participated in the “Conference/Paper Presentation” organized by Care Collge of Engineering, Trichy.
- Ms. Ruth Mary S, Anu Priya M, of final year students participated in the “Symposium” organized by Care Collge of Engineering, Trichy.
- Mr. Royal Vigneshwar E, of second year students participated in the “Symposium” organized by Care College of Engineering, Trichy.
- Mr. Sriganth S, of third year students participated in the “Workshop” organized by Tareeqa Global Solutions Pvt Ltd, Trichy.
- Mr. Shanmuganathan S, Mohamed Vasim K, of third year students participated in the “Symposium-Project Expo” organized by Care College of Engineering, Trichy.
- Mr. Royal Vigneshwar E.S., of second year student participated in the “Symposium” organized by M.A.M College of Engineering, Trichy.
- Mr. Hasan Basari A, Ragul S, Shanmuganathan S, final year and third year students published a paper in IRO journals in the topics of Real-Time monitoring of Building Cracks and Enhanced Vibrations Through IoT.

Faculty Participation

ELECTRA

- N.Priscilla Vilma Manorathi has participated in International Conference organised by Eshwar College of Engineering, Chennai.
- P.Gayathiri has participated in International Conference organised by Eshwar College of Engineering, Chennai.
- A.Suresh Kumar has participated in International Conference organised by Eshwar College of Engineering, Chennai.
- J.Nirmala has participated in FDP in Saranathan College of Engineering.
- B.T Kirithika has participated in International Conference organised by Puducherry Technological University, Pondicherry.
- A.Suresh Kumar has participated in International Conference organised by Puducherry Technological University, Pondicherry.
- P.Gayathiri has participated in International Conference organised by Puducherry Technological University, Pondicherry.
- J.Nirmala has participated in International Conference organised by Eshwar College of Engineering, Chennai.
- Dr. K. Rajasri has participated in Faculty Development Programme in Recent developments on intelligent algorithms and electrical vehicle technologies organized by ATAL, Annamalai university, Chidambaram

Guest Lectures and Workshop

- A Guest lecture was conducted on the topic “Recent Trends in 5G Mobile communication” for our students on 24.08.2023 by **Mr. S. Rajakumar**, Deputy General Manager was the Resource person
- A Guest lecture was conducted on the topic “Sensor Design and Fabrication” for our students on 03/08/2023 by **Dr. Shiraz Sohail** (Assistant Professor) in NIT, Trichy was the Resource person
- A Guest lecture was conducted on the topic “Fundamentals of surface EMG and its applications in Health” for our students on 02/11/2023 by **Dr. P.A. Karthick**, Assistant Professor, Department of Instrumentation and

Industrial Visits



Company: Radio Astronomy Centre, NCRA – TIFR, Udhagamandalam, (Ooty)

ELECTRA

EDITORIAL BOARD

Chief Editor

Mrs. R.Anitha, AP/ECE

Co- Editor

Dr,K. Rajasri, AP,ECE

Ms,N.Priscilla Vilma Manorathi AP/ECE

Students Editors

Hasan Basari A

Sriganth S